

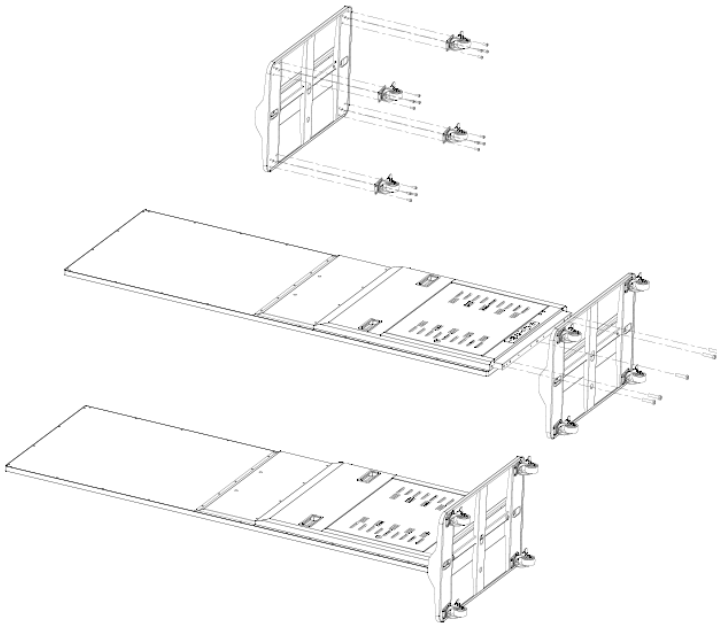
CleverLive CM Totem Getting Started



CLEVER[®] **LIVE**

Installation

Take hardware from packaging and attach base to panel:



Set Up

Plug in power to start up panel and follow prompts.

Connect to CleverLive account <https://gettingstarted.clevertouch.com/clevertouch-live/getting-started/faq/how-do-i-create-a-clevertouchlive-account?menu>.

Optional

Connect Clevertouch Media Player to totem internal or external media source.